



winegrid

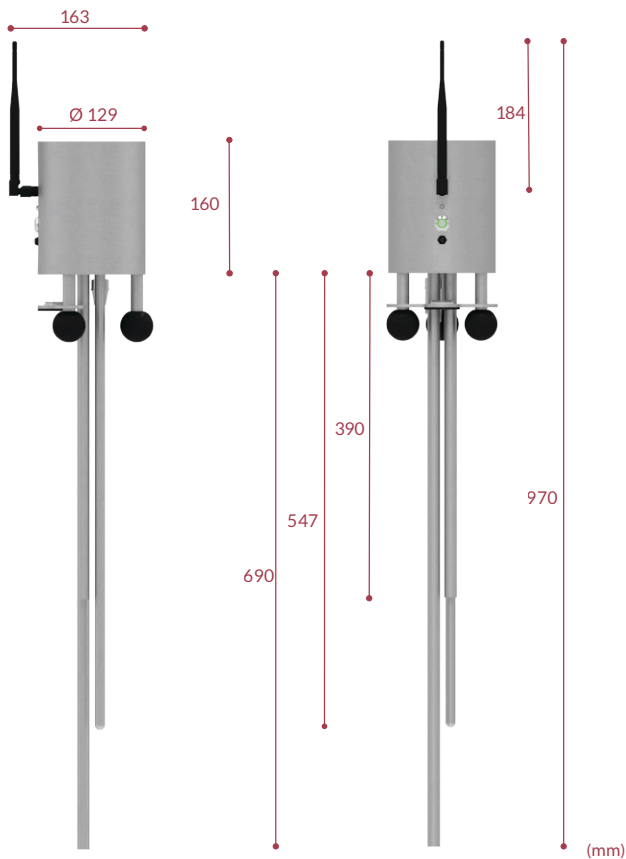
Smart Oenology

barrelplus BP1011

SENSOR FOR REMOTE AND REAL-TIME MONITORING OF WINE FERMENTATION
WITH PROPRIETARY TECHNOLOGY

DENSITY AND TEMPERATURE

- Wireless connectivity
- Plug & Play
- Optimized for barrels
- WINEGRID platform compatibility
- Configurable LED RGB alarme
- Monitor of fermentation kinetics events (start, stuck and end)



TECHNICAL SPECIFICATIONS

ENCLOSURE MATERIAL	Stainless Steel 304
ENCLOSURE PROTECTION	IP65
PROBE MATERIAL	Stainless steel 316L
DIMENSIONS	Enclosure Ø135 x 160mm/ Probe 549 mm
WEIGHT	3.5 kg
COMMUNICATION	With smartbox - LoRa (distance up to 200 m) (LoRa - measurements every 30 minutes)
PRECISION TECHNOLOGY	OenoSensing®
WIRELESS CONECTIVITY	Wi-Fi: IEEE 802.11 b/g/n 2.4 GHz (for firmware updates only)
	LoRa WAN /P2P - Frequencies according to regional parameters: EU (863-870) US (902-928) AU (915-928) MHz
BATTERY OPERATED	Battery 3.7 V 13200 mAh
AUTONOMY	3 month autonomy taking 4 readings per day
INPUT RECHARGING	12 V 2A / 50/60 Hz
LIQUID DENSITY	
OPERATION RANGE	[900 ; 1200] kg/ m ³
RESOLUTION	1 kg/ m ³
ACCURACY	± 2 kg/ m ³
LIQUID TEMPERATURE	
OPERATION RANGE	[- 10 ; 85] °C
RESOLUTION	0.1 °C
ACCURACY	± 0.5 °C