



winegrid

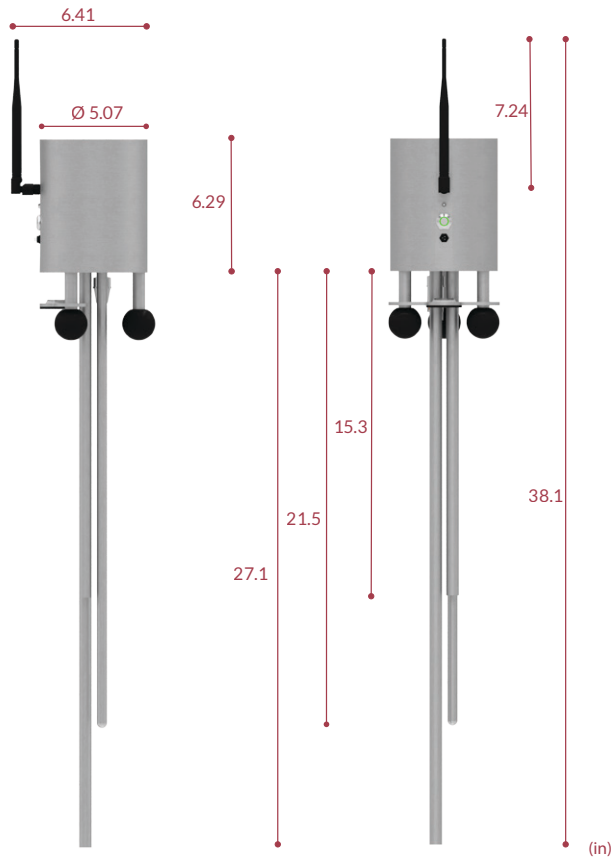
Smart Oenology

# barrelplus BP1011

SENSOR FOR REMOTE AND REAL-TIME MONITORING OF WINE FERMENTATION  
WITH PROPRIETARY TECHNOLOGY

## DENSITY AND TEMPERATURE

- Wireless connectivity
- Plug & Play
- Optimized for barrels
- WINEGRID platform compatibility
- Configurable LED RGB alarme
- Monitor of fermentation kinetics events (start, stuck and end)



## TECHNICAL SPECIFICATIONS

ENCLOSURE MATERIAL	Stainless Steel 304
ENCLOSURE PROTECTION	IP65
PROBE MATERIAL	Stainless steel 316L
DIMENSIONS	Enclosure Ø5.31 x 6.29 inches Probe 21.6 inches
WEIGHT	7.7 lbs
COMMUNICATION	With smartbox - LoRa (distance up to 656 feet) (LoRa - measurements every 30 minutes)
PRECISION TECHNOLOGY	OenoSensing®
WIRELESS CONECTIVITY	Wi-Fi: IEEE 802.11 b/g/n 2.4 GHz (for firmware updates only) LoRa WAN /P2P - Frequencies according to regional parameters: EU (863-870)   US (902-928)   AU (915-928) MHz
BATTERY OPERATED	Battery 3.7 V 13200 mAh
AUTONOMY	3 month autonomy taking 4 readings per day
INPUT RECHARGING	12 V 2A / 50/60 Hz
LIQUID DENSITY	
OPERATION RANGE	[-28 ; 44] °Brix
RESOLUTION	0.26 °Brix
ACCURACY	± 0.52 °Brix
LIQUID TEMPERATURE	
OPERATION RANGE	[14 ; 185] °F
RESOLUTION	0.18 °F
ACCURACY	± 0.90 °F