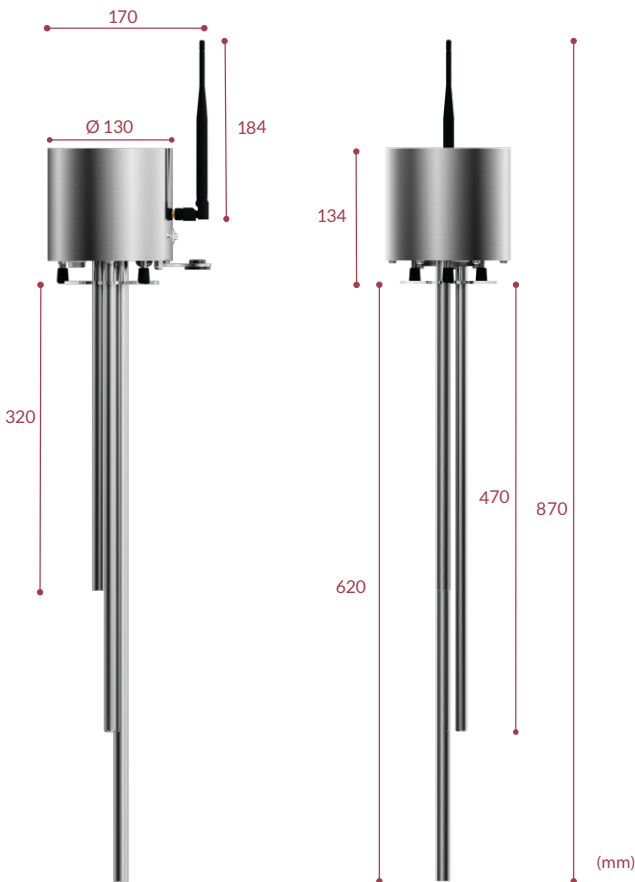


## Barrelplus

SENSOR FOR REMOTE AND REAL-TIME MONITORING  
OF WINE FERMENTATION WITH PROPRIETARY TECHNOLOGY

### DENSITY AND TEMPERATURE

Wireless connectivity  
Plug & Play  
Optimized for barrels  
WINEGRID platform compatibility  
Monitor of fermentation kinetics events (start, stuck and end)



### TECHNICAL SPECIFICATIONS

ENCLOSURE MATERIAL	Stainless Steel 304
ENCLOSURE PROTECTION	IP65
PROBE MATERIAL	Stainless steel 316L
PROTECTIVE COVER	Acrylic
DIMENSIONS	Enclosure Ø130 x 134mm/ Probe 620 mm
WEIGHT	3.5 kg
COMMUNICATION	With smartbox - LoRa (distance up to 200 m) (LoRa - measurements every 30 minutes)
PRECISION TECHNOLOGY	OenoSensing®
WIRELESS CONECTIVITY	Wi-Fi: IEEE 802.11 b/g/n 2.4 GHz (for firmware updates only) LoRa WAN /P2P - Frequencies according to regional parameters: <b>EU</b> (863-870)   <b>US</b> (902-928)   <b>AU</b> (915-928) MHz
BATTERY OPERATED	Battery 3.7 V 13200 mAh
AUTONOMY	3 month autonomy taking 4 readings per day
INPUT RECHARGING	12 V 2A / 50/60 Hz
LIQUID DENSITY	
OPERATION RANGE	[900 ; 1200] kg/ m <sup>3</sup>
RESOLUTION	1 kg/ m <sup>3</sup>
ACCURACY	± 2 kg/ m <sup>3</sup>
LIQUID TEMPERATURE	
OPERATION RANGE	[- 10 ; 85] °C
RESOLUTION	0.1 °C